

(12) **United States Patent**
Nibarger et al.

(10) **Patent No.:** **US 8,867,176 B1**
(45) **Date of Patent:** ***Oct. 21, 2014**

(54) **CORROSION PROTECTION UTILIZING A MILLED, TOP SPIN VALVE GMR SENSOR**

(75) Inventors: **John P. Nibarger**, Superior, CO (US);
Ricky L. Ewasko, Boulder, CO (US)

(73) Assignee: **Oracle America, Inc.**, Redwood City, CA (US)

(*) Notice: Subject to any disclaimer, the term of this patent is extended or adjusted under 35 U.S.C. 154(b) by 1092 days.
This patent is subject to a terminal disclaimer.

(21) Appl. No.: **11/447,636**

(22) Filed: **Jun. 6, 2006**

(51) **Int. Cl.**
G11B 5/33 (2006.01)

(52) **U.S. Cl.**
USPC **360/324.1**

(58) **Field of Classification Search**
None
See application file for complete search history.

(56) **References Cited**

U.S. PATENT DOCUMENTS

6,381,107	B1 *	4/2002	Redon et al.	360/324.2
6,847,510	B2 *	1/2005	Childress et al.	360/324.2
2003/0123198	A1 *	7/2003	Sugawara et al.	360/314
2004/0052006	A1 *	3/2004	Odagawa et al.	360/324.1
2005/0219766	A1 *	10/2005	Machita et al.	360/324.1
2007/0242394	A1 *	10/2007	Gill	360/324.1

OTHER PUBLICATIONS

Nakashio et al., "Flux Guide Type Tunnel-Valve Head for Tape Storage Applications", IEEE Transactions on Magnetics, vol. 38, No. 5, Sep. 2002, pp. 1925-1927.
Druyvesteyn et al., "Magnetoresistive Heads", IEEE Transactions on Magnetics, vol. MAG-17, No. 6, Nov. 1981, pp. 2884-2889.
Shimazawa et al., "Evaluation of Front Flux Guide-Type Magnetic Tunnel Junction Heads", IEEE Transactions on Magnetics, vol. 35, No. 5, Sep. 2000, pp. 2542-2544.
Folkerts et al., "Performance of Yoke Type GMR Heads", IEEE Transactions on Magnetics, vol. 31, No. 6, Nov. 1995, pp. 2591-2596.
Koshikawa et al., "Flux-Guided MR Head for Very Low Flying Height", IEEE Transactions on Magnetics, vol. 30, No. 6, Nov. 1994, pp. 3840-3842.
Tsang et al., "Study of Recessed MR Sensors with Unlaminated and Multi-Laminated Flux-Guides", IEEE Transactions on Magnetics, vol. 28, No. 5, Sep. 1992, pp. 2289-2291.
Druyvesteyn et al., "Thin-Film Read Head for Analog Audio Application", IEEE Transactions on Magnetics, vol. MAG-19, No. 5, Sep. 1983, pp. 1748-1750.
U.S. Appl. No. 11/177,606, filed Aug. 8, 2005, Nibarger et al.
U.S. Appl. No. 11/017,170, filed Dec. 20, 2004, Watson et al.

* cited by examiner

Primary Examiner — David D Davis
(74) *Attorney, Agent, or Firm* — Brooks Kushman P.C.

(57) **ABSTRACT**

A corrosion-resistant magnetic sensor and a method for making the corrosion-resistant magnetic sensor. The magnetic sensor includes a first layer that is a pinned layer, the first layer having a first edge. The magnetic sensor also includes a second layer that can be a non-magnetic metal layer, the second layer having a second edge corresponding to the first edge, wherein the second layer is adjacent the first layer. The magnetic sensor also has a third layer that can be a free layer, the third layer having a third edge which projects outwardly relative to the first edge and the second edge.

6 Claims, 4 Drawing Sheets

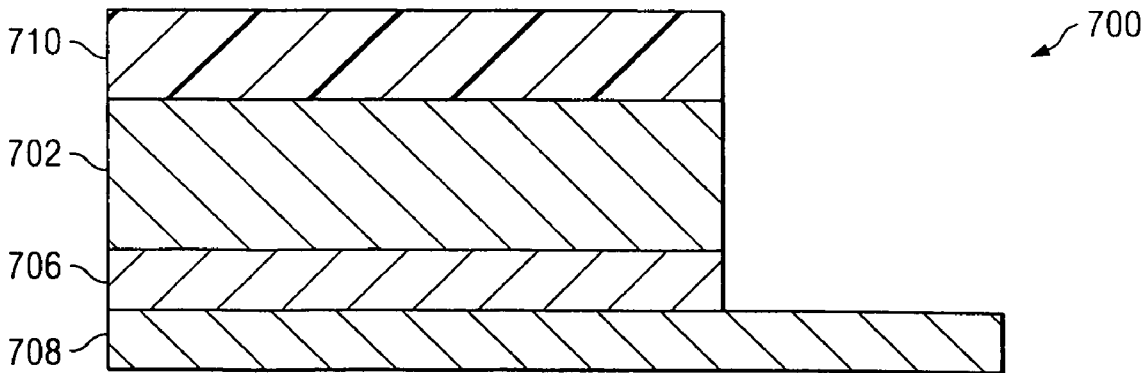


FIG. 1
(PRIOR ART)

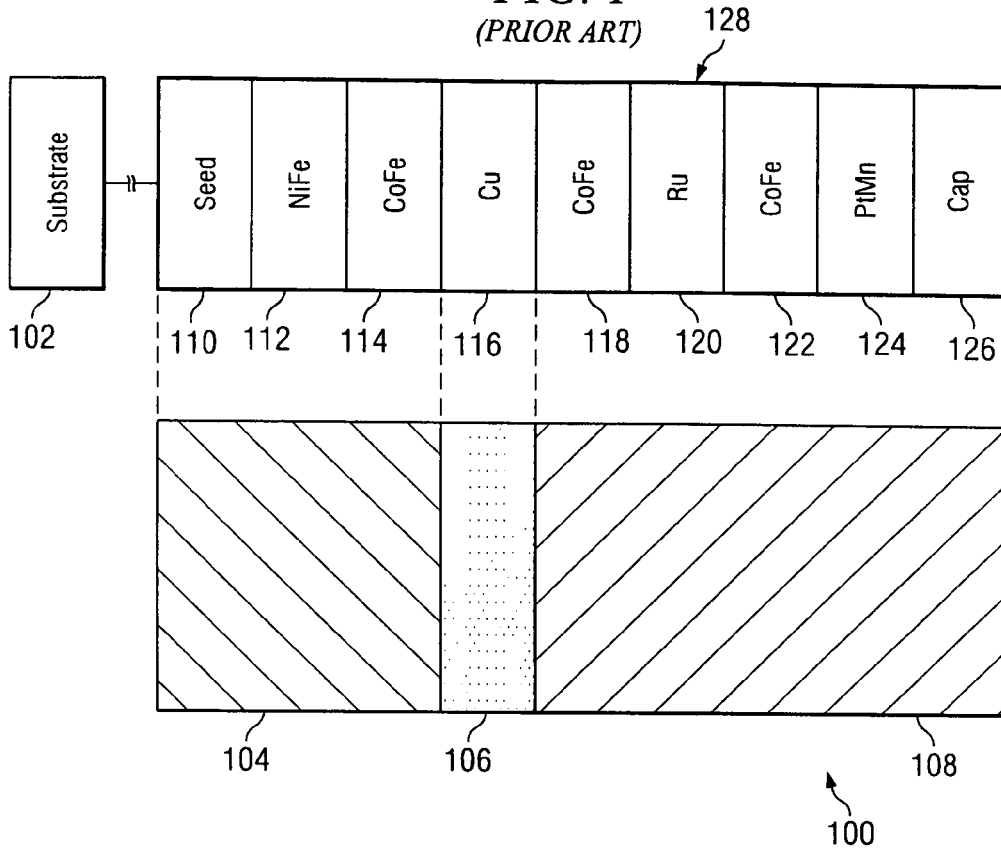
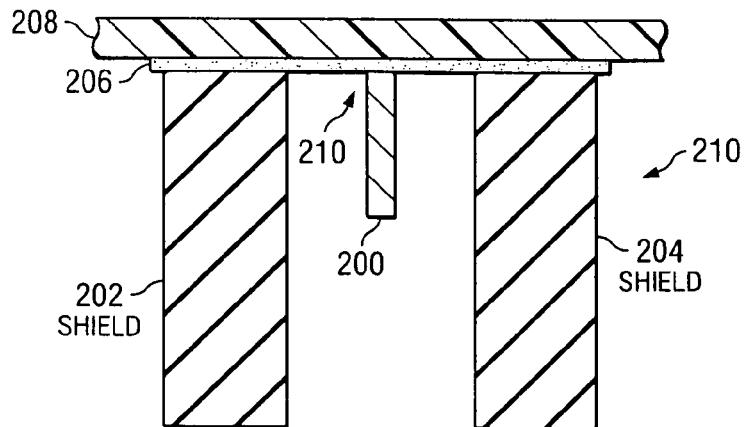


FIG. 2
(PRIOR ART)



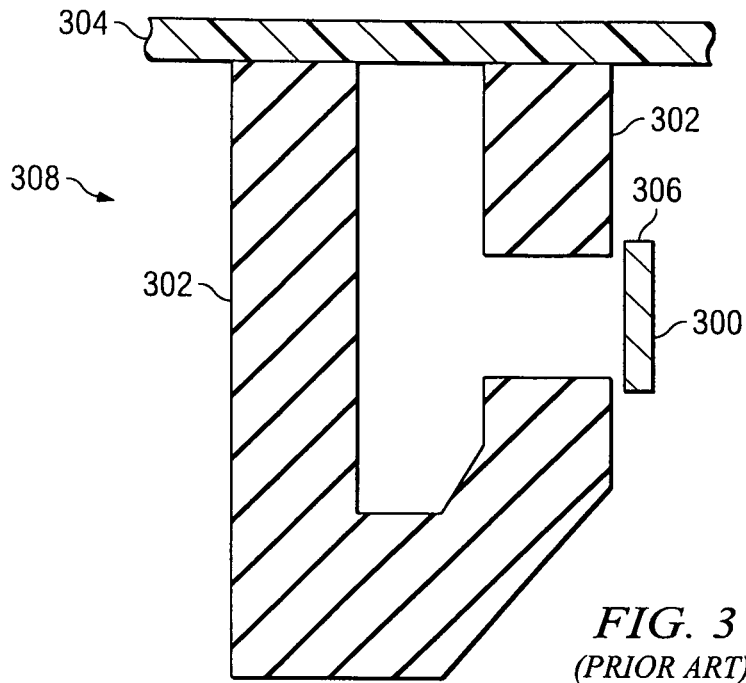


FIG. 3
(PRIOR ART)

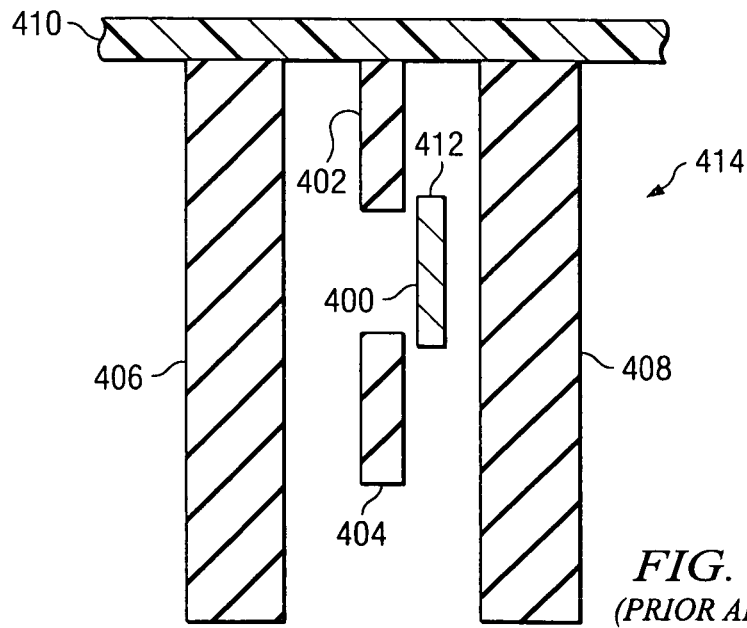


FIG. 4
(PRIOR ART)

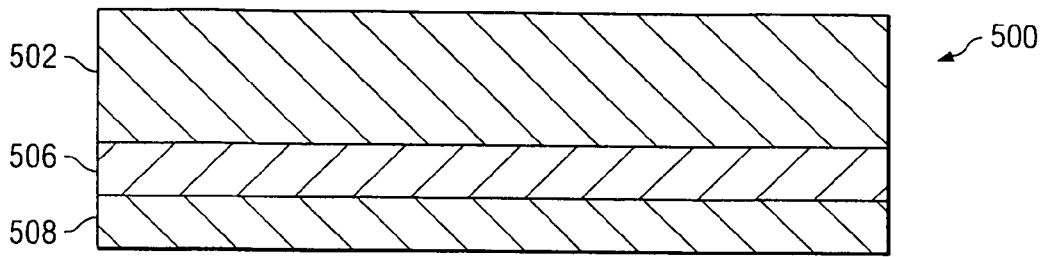


FIG. 5

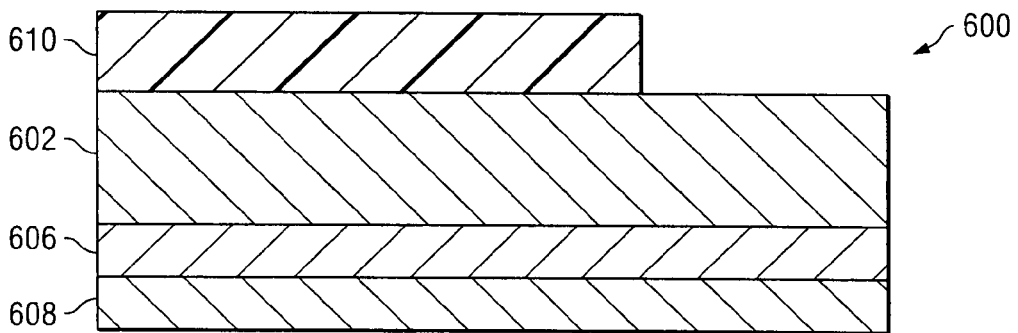


FIG. 6

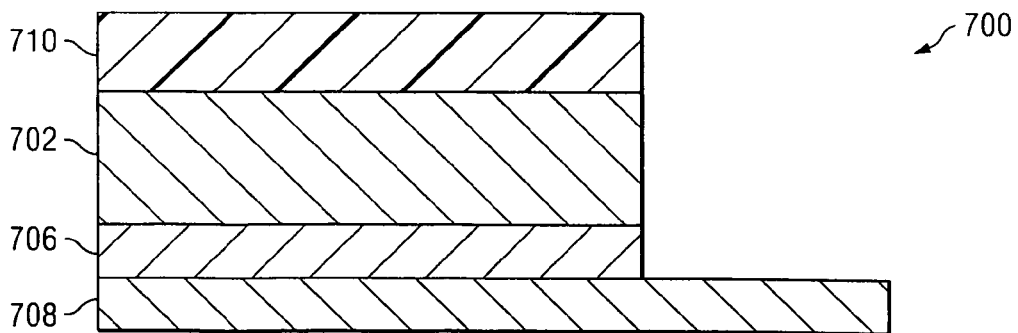


FIG. 7

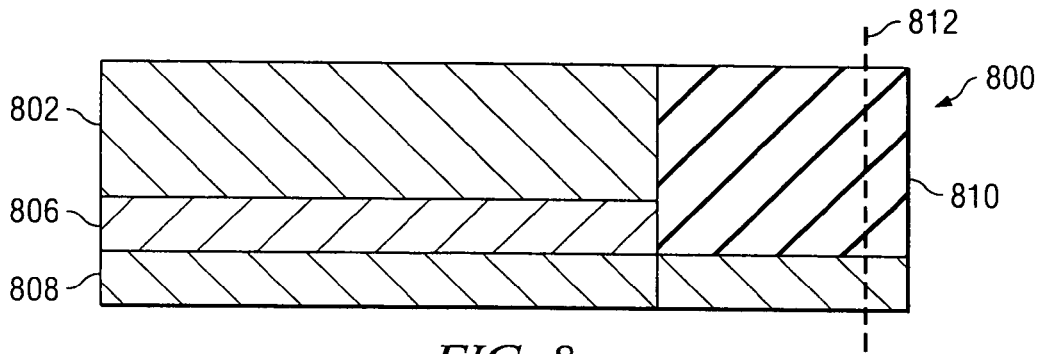


FIG. 8

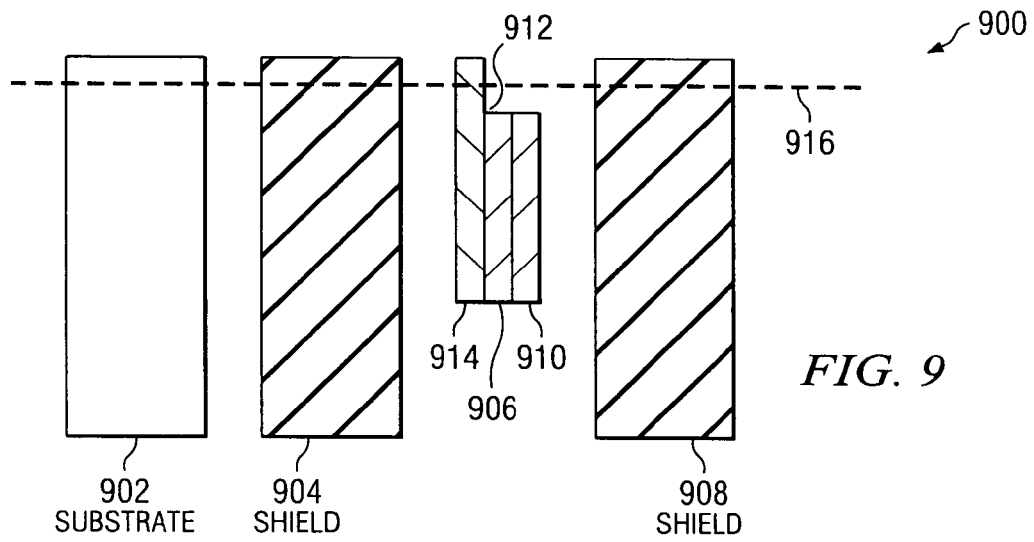


FIG. 9

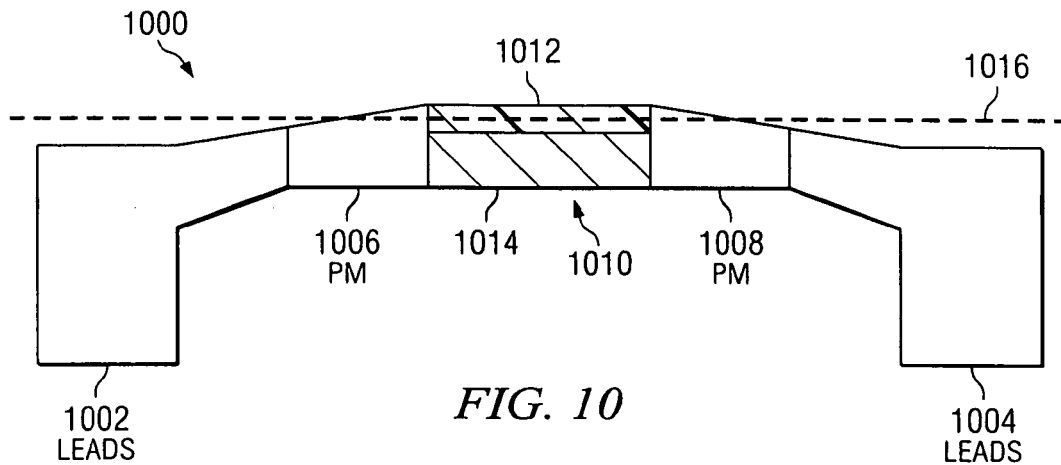


FIG. 10

CORROSION PROTECTION UTILIZING A MILLED, TOP SPIN VALVE GMR SENSOR

BACKGROUND OF THE INVENTION

1. Field of the Invention

The present invention relates generally to magnetic sensors and particularly to corrosion protection in a top-pinned spin valve sensor.

2. Description of the Related Art

Corrosion in a metal, usually copper, layer of a magnetic read head can be a problem. Corrosion can reduce the effectiveness of magnetic read heads, or even cause a magnetic read head to fail. One method to address this problem is through the use of anisotropic magneto-resistive (AMR) sensors. However, the percentage change in sensor resistance ($\Delta R/R$) for an anisotropic magneto-resistive sensor is only about 2%. The percentage change in sensor resistance is a metric of total signal available from the sensor.

The sensor's $\Delta R/R$ can be increased using the giant magneto-resistance (GMR) effect. The $\Delta R/R$ for a giant magneto-resistance sensor is about 10% to about 20%. However, a major drawback associated with the giant magneto-resistance sensor is that the giant magneto-resistance sensor re-introduces the problem with corrosion.

SUMMARY OF THE INVENTION

The present invention provides for a corrosion-resistant magnetic sensor and a method for making the corrosion-resistant magnetic sensor. The magnetic sensor includes a first layer that is a pinned layer, the first layer having a first edge. The magnetic sensor also includes a second layer, that can be a non-magnetic metal layer, the second layer having a second edge corresponding to the first edge, wherein the second layer is adjacent the first layer. The magnetic sensor also has a third layer that can be a free layer, the third layer having a third edge which projects outwardly relative to the first edge and the second edge.

BRIEF DESCRIPTION OF THE DRAWINGS

The novel features believed characteristic of the invention are set forth in the appended claims. The invention itself, however, as well as a preferred mode of use, further objectives and advantages thereof, will best be understood by reference to the following detailed description of an illustrative embodiment when read in conjunction with the accompanying drawings, wherein:

FIG. 1 shows a prior art giant magneto-resistive sensor, in which the invention can be implemented;

FIG. 2 shows a prior art giant magneto-resistive sensor placed between two shields, in accordance with an illustrative example of the present invention;

FIG. 3 shows a prior art yoke structure for a giant magneto-resistive sensor, in accordance with an illustrative example of the present invention;

FIG. 4 shows a prior art flux guide structure for a giant magneto-resistive sensor, in accordance with an illustrative example of the present invention;

FIG. 5 shows part of a top spin valve giant magneto-resistive sensor film stack, in accordance with an illustrative example of the present invention;

FIG. 6 shows part of a top spin valve giant magneto-resistive sensor film stack with photoresist, in accordance with an illustrative example of the present invention;

FIG. 7 shows part of a top spin valve giant magneto-resistive sensor film stack with material milled away, in accordance with an illustrative example of the present invention; and

FIG. 8 shows part of a top spin valve giant magneto-resistive sensor film stack after photoresist lift-off, in accordance with an illustrative example of the present invention.

FIG. 9 shows a top spin valve giant magneto-resistive sensor head in use, in accordance with an illustrative example of the present invention; and

FIG. 10 shows a top spin valve giant magneto-resistive sensor head in use, in accordance with an illustrative example of the present invention.

DETAILED DESCRIPTION OF THE PREFERRED EMBODIMENT

FIG. 1 shows a prior art giant magneto-resistive sensor, in which the invention can be implemented. Giant magneto-resistive sensor **100** is a top spin valve magnetic sensor. Giant magneto-resistive sensor **100** includes a stack of layers, including substrate **102**, free layer **104**, non-magnetic metallic layer **106**, and pinned layer **108**.

Pinned layer **108** provides a reference magnetization and free layer **104** provides a rotatable magnetization. The magnetization of pinned layer **108** is fixed while the magnetization of free layer **104** rotates under the influence of an external magnetic field. In this example, the external magnetic field is the magnetic field of the magnetic media that is to be read by giant magneto-resistive sensor **100**.

In giant magneto-resistive sensor **100**, the change in electrical resistance in the sensor depends on the angular difference between the magnetizations of pinned layer **108** and free layer **104**. The changes in resistance over time caused by the angular difference between the magnetizations of pinned layer **108** and free layer **104** can be measured. The angular difference between the magnetizations of pinned layer **108** and free layer **104** thereby is caused by the changing magnetic fields from the magnetic media. The measured changes in resistance can be converted into data usable by a data processing system.

Each of layers **104**, **106**, and **108** can include a number of sub-layers. For example, free layer **104** can include a number of sub-layers. In an illustrative example, free layer **104** includes seed layer **110**, magnetic layer **112**, and free reference layer **114**. Each layer can be made of a variety of materials. For example, seed layer **110** can include Ta (tantalum), NiFe (nickel iron), NiFeCr (nickel iron chromium), magnetic layer **112** can include NiFe, Co (cobalt), CoFeB (cobalt iron boron), and free reference layer **114** can include CoFe (cobalt iron), Co, and CoFeB. Magnetic layer **112** and free reference layer **114** are films that are used to optimize the giant magneto-resistive effect using the reference layer while also obtaining better magnetic properties through the addition of the magnetic layer. Other appropriate materials can also be used for these layers.

In an illustrative example, non-magnetic metallic layer **106** includes a non-magnetic metal layer **116** made of a non-magnetic metal, such as Cu (copper). Other non-magnetic metals can be used in place of non-magnetic metal layer **116**, such as CuAu (copper gold), CuAg (copper silver), Au (gold), and Ag (silver). Non-magnetic metallic layer **116** acts as a spacer between free layer **104** and pinned layer **108**. In other examples, non-magnetic metal layer **116** can include other layers of non-magnetic metals or other layers of non-magnetic materials. Other appropriate materials can also be used for these layers.

For example, pinned layer **108** can include pinned reference layer **118**, antiferromagnetic coupling layer **120**, first pinned layer **122**, antiferromagnet layer **124**, and cap layer **126**. Cap layer **126** serves as a cap to the entire sensor stack and can include materials such as Ta (tantalum) or Ti (titanium). Together, pinned reference layer **118**, antiferromagnetic coupling layer **120**, and first pinned layer **122** can be referred to as a synthetic antiferromagnet (SAF). The synthetic antiferromagnet is used to increase the pinning strength of pinned reference layer **118**.

Each of the sub-layers in pinned layer **108** can be made from a variety of materials. For example, antiferromagnet layer **124** can include PtMn (platinum manganese), other manganese based antiferromagnetic alloys, as well as insulators such as NiO (nickel oxide). First pinned layer **122** can include CoFe (cobalt iron) and other materials such as CoFeB and Co. Antiferromagnetic coupling layer **120** can include materials such as Ru (ruthenium). Pinned reference layer **118** can include materials such as CoFe and other materials such as CoFeB. Each of these layers can be varied, and not all layers need be present to form pinned layer **108**, though at a minimum pinned layer **108** includes a material such as CoFe in order to create a pinning magnetic field. Other appropriate materials can also be used for these layers. Pinned layer **108** and free layer **104** form a stack that can be referred to as a top spin valve because the antiferromagnetic pinning layer **124** is deposited after the free layer.

Each layer in the stack has an edge that, in an illustrative example, is aligned along the same axis. Thus, giant magneto-resistive sensor **100** has edge **128** that typically abuts or is placed near a magnetic media, such as a magnetic tape. However, the methods and devices described herein can be implemented in both synthetic antiferromagnetic structures and single ferromagnetic films.

In an illustrative example, the relative thickness of the elements within each layer is Ta(50 Å)/Ni₈₀Fe₂₀(35 Å)/Co₉₀Fe₁₀(30 Å)/Cu(25 Å)/Co₉₀Fe₁₀(32 Å)/Ru(10 Å)/Co₉₀Fe₁₀(30 Å)/Pt₄₉Mn₅₁(200 Å)/Ta(50 Å). However, the thickness of the elements within each layer can be varied, as can the elements, alloys, and compounds that make up giant magneto-resistive sensor **100**. For example, antiferromagnet layer **124** can be made from elements, alloys, and compounds such as described above. Similarly, antiferromagnetic layer **124** can be made from various Mn based antiferromagnetic alloys, as well as insulators such as NiO. Similarly, the number of layers that make up giant magneto-resistive sensor **100** can also be varied such that more or fewer layers of the same or different substances are present.

The layer most susceptible to corrosion is non-magnetic metal layer **116**. However, non-magnetic metal layer **116** is also an important layer because non-magnetic metal layer **116** carries half of the current for the magnetic sensor. Furthermore, the spin dependent scattering of the giant magneto-resistive effect occurs mainly at the interface of non-magnetic metal layer **116** and pinned reference layer **118**, as well as at the interface of non-magnetic metal layer **116** and free reference layer **114**. Other materials that make up the sensor stack of magnetic sensor **100** may be susceptible to corrosion as well. Solutions to the problem of corrosion in non-magnetic metal layer **116** specifically, as well as in the remaining layers of magnetic sensor **100** have been proposed, as shown in FIG. 2 through FIG. 4.

FIG. 2 shows a prior art giant magneto-resistive sensor placed between two shields. Giant magneto-resistive sensor **200** can be giant magneto-resistive sensor **100** shown in FIG. 1. Giant magneto-resistive sensor **200** is aligned such that edge **210** corresponds to edge **128** in FIG. 1. Thus, edge **210**,

or edge **128** of FIG. 1, abuts protective layer **206** and is near magnetic media **208**. Shield **202** and shield **204** are provided to control the magnetic field and sensor resolution in the vicinity of giant magneto-resistive sensor **200**. Together, giant magneto-resistive sensor **200**, shield **202**, and shield **204** form read head **210**. FIG. 2 is an example of a prior art solution to corrosion in non-magnetic metal layer **116** specifically, or the entire sensor stack **100** in FIG. 1.

Protective layer **206** acts as a physical barrier between magnetic media **208** and giant magneto-resistive sensor **200**. In an illustrative example, magnetic media is a magnetic tape that moves parallel to edge **210** of giant magneto-resistive sensor **200** in the direction from one shield, **202** or **204**, to the other shield, **204** or **202**. Through friction, magnetic tape can physically erode, giant magneto-resistive sensor **200**, and specifically the non-magnetic metal layer within giant magneto-resistive sensor **200**. If magnetic media **208** is some other form of magnetic media, such as a hard drive or some other magnetic media, then corrosion can still occur in the non-magnetic metal layer or the entire film stack of giant magneto-resistive sensor **200**.

At least two problems exist with this solution. First, protective layer **206** can be worn off by friction between magnetic media **208** and protective layer **206**. Second, protective layer **206** induces spacing loss in giant magneto-resistive sensor **200**. The spacing loss can reduce the signal detected from magnetic media **208** to unacceptable levels. The reduction in signal reduces the ability of read head **210** to read data from magnetic media **208**. Thus, the solution to corrosion in a giant magneto-resistive sensor shown in FIG. 2 is not desirable.

FIG. 3 shows a prior art yoke structure for a giant magneto-resistive sensor. Giant magneto-resistive, sensor **300** can be giant magneto-resistive sensor **100** shown in FIG. 1. Giant magneto-resistive sensor **300** is aligned such that edge **306** corresponds to edge **128** in FIG. 1. Yoke structure **302** is a shield that is provided to control the magnetic flux through giant magneto-resistive sensor **300**. FIG. 3 is an example of a prior art solution to corrosion in non-magnetic metal layer **116** in FIG. 1.

In this configuration, giant magneto-resistive sensor **300** is buried within read head **308**. Thus, giant magneto-resistive sensor **300** does not directly abut or touch magnetic media **304**. Especially in the case that magnetic media **304** is a magnetic tape, this configuration largely prevents corrosion in the non-magnetic metal layer of giant magneto-resistive sensor **300**.

However, the solution shown in FIG. 3 is also not desirable. The increased manufacturing complexity of yoke structure **302** increases the cost of read head **308**. Furthermore, by moving giant magneto-resistive sensor **300** away from magnetic media **304**, maximum efficiency of flux detection in giant magneto-resistive sensor **300** in read head **308** is only about 50%, and is generally in the range of about 20% to about 30%. This reduction in efficiency arises largely from increased magnetic reluctance in the read head. The yoke structure conducts the flux in a loop from the media **304**, through yoke structure **302**, through sensor **300**, through yoke structure **302**, and back to media **304**. The reduction in efficiency reduces signal strength, and thereby reduces the ability of read head **308** to read data from magnetic media **304**.

FIG. 4 shows a prior art flux guide structure for a giant magneto-resistive sensor. Giant magneto-resistive sensor **400** can be giant magneto-resistive sensor **100** shown in FIG. 1. Giant magneto-resistive sensor **400** is aligned such that edge **412** corresponds to edge **128** in FIG. 1. The flux guide structure is a number of shields that are provided to control the

5

magnetic flux through giant magneto-resistive sensor **400**. Together, shield **402**, shield **404**, shield **406**, and shield **408** form the flux guide structure. FIG. **4** is an example of a prior art solution to corrosion in non-magnetic metal layer **116** in FIG. **1**.

In this configuration, giant magneto-resistive sensor **400** is also buried within read head **414**. Thus, giant magneto-resistive sensor **400** does not directly abut or touch magnetic media **404**. Especially in the case that magnetic media **404** is a magnetic tape, this configuration largely prevents corrosion in the non-magnetic metal layer of giant magneto-resistive sensor **400**.

However, the solution shown in FIG. **4** is also not desirable. Like yoke structure **302** in FIG. **3**, the increased manufacturing complexity of the flux guide structure increases the cost of read head **414**. Furthermore, by moving giant magneto-resistive sensor **400** away from magnetic media **404**, maximum efficiency of flux detection in giant magneto-resistive sensor **400** in read head **414** is only about 50%, and is generally in the range of about 20% to about 30%. This reduction in efficiency arises largely from increased magnetic reluctance in the read head. In this case the flux from the media enters the sensor by first traveling through flux guide **402**, then through the sensor entering at **412** and exiting at **400** to enter the flux guide **404**. The problem is that while the flux is moving through these components, there is flux leakage to the shields. This flux leakage decreases the efficiency of the structure shown in FIG. **4**. The reduction in efficiency reduces signal strength, and thereby reduces the ability of read head **414** to read data from magnetic media **410**.

The solutions described with respect to FIG. **2** through FIG. **4** all have some undesirable aspects. Thus, what is needed is a method or device to protect the vulnerable non-magnetic metal layer without introducing additional spacing or signal losses between the magnetic media and the active layer of the giant magneto-resistive sensor.

We have proposed another solution to the problem of corrosion in the non-magnetic metal layer of a giant magneto-resistive sensor. First the non-magnetic metal layer, by itself, is etched back. Thus, referring back to FIG. **1**, the edge of non-magnetic metal layer **116** no longer lies along the same axis as edge **128**. Instead, the edge of non-magnetic metal layer **116** does not project as far as the edges of the remaining layers. The non-magnetic metal layer is protected through mechanical entrapment, electrolytic plating, electro-less plating, or via some other method. Finally, the giant magneto-resistive sensor is tape lapped to the appropriate pole tip recession. This process successfully addresses the problems described above.

An additional method for solving the problem of corrosion in the non-magnetic metal layer or other materials in the sensor stack of a top spin valve giant magneto-resistive sensor is shown with respect to FIG. **5** through FIG. **8**. FIG. **5** through FIG. **8** show a process of forming a top spin valve giant magneto-resistive sensor that is resistant to corrosion in the non-magnetic metal layer or other materials in the sensor stack. A giant magneto-resistive sensor is referred-to as a top spin valve giant magneto-resistive sensor when the pinned layer and non-magnetic metal (typically Cu) layer are deposited above the free layer.

FIG. **5** through FIG. **8** show the steps involved in creating a top spin valve giant magneto-resistive sensor that is resistant to corrosion in the non-magnetic metal layer. FIG. **5** shows an exemplary top spin valve giant magneto-resistive sensor, and each of FIG. **6** through FIG. **8** shows a step in the process. At the end of the process, the top spin valve giant magneto-

6

resistive sensor shown in FIG. **8**, which is resistant to corrosion in the non-magnetic metal layer, is created.

FIG. **5** shows part of a top spin valve giant magneto-resistive sensor, in accordance with an illustrative example of the present invention. Top spin valve giant magneto-resistive sensor **500** is similar to giant magneto-resistive sensor **100** shown in FIG. **1**. FIG. **5** is a cross section of top spin valve giant magneto-resistive sensor **500**, looking along the axis of the permanent magnet parallel to the tape bearing surface.

Top spin valve giant magneto-resistive sensor **500** has a number of layers, including in this illustrative example pinned layer **502**, non-magnetic metal layer **506**, and free layer **508**. Each of layers **502**, **506**, and **508** are similar to corresponding layers in giant magneto-resistive sensor **100** shown in FIG. **1** in that the layers in top spin valve giant magneto-resistive sensor **500** are made of similar materials that can vary as described above. Thus, for example, non-magnetic metal layer **506** is typically Cu, but can also be CuAu, CuAg, Au, and Ag. In addition, as shown in FIG. **1**, more or fewer layers can be added to top spin valve giant magneto-resistive sensor **500**. In this case, the procedures described below would be modified to accommodate the additional or fewer layers.

FIG. **6** shows part of a top spin valve giant magneto-resistive sensor, in accordance with an illustrative example of the present invention. Top spin valve giant magneto-resistive sensor **600** corresponds to top spin valve giant magneto-resistive sensor **500** shown in FIG. **5**. As a first step in the manufacturing process, photoresist layer **610** is patterned onto the surface of pinned layer **602**. A photoresist is a film used in photolithography that temporarily holds the pattern of a circuit path, other element of a chip, or a film layer. When exposed to light, a photoresist hardens and is resistant to the acid bath that washes away unexposed areas of the chip. Other techniques using a photoresist layer can also be implemented, so long as a desired portion of top spin valve giant magneto-resistive sensor **600** is protected from the subsequent milling, etching, or removing processes.

FIG. **7** shows part of a top spin valve giant magneto-resistive sensor, in accordance with an illustrative example of the present invention. Top spin valve giant magneto-resistive sensor **700** corresponds to top spin valve giant magneto-resistive sensor **500** shown in FIG. **5** and top spin valve giant magneto-resistive sensor **600** shown in FIG. **6**. In the next manufacturing step, the portion of pinned layer **702**, and non-magnetic metal layer **706** not covered or protected by photoresist layer **710** is milled, etched, or otherwise removed. However, free layer **708** is not removed in this manner. Thus, the edge of free layer **708** projects outwardly of the edges of pinned layer **702**, and non-magnetic metal layer **706**.

FIG. **8** shows part of a top spin valve giant magneto-resistive sensor, in accordance with an illustrative example of the present invention. Top spin valve giant magneto-resistive sensor **800** corresponds to top spin valve giant magneto-resistive sensor **500** shown in FIG. **5**, top spin valve giant magneto-resistive sensor **600** shown in FIG. **6**, and top spin valve giant magneto-resistive sensor **700** shown in FIG. **7**. Next, gap layer **810**, is added in the space left by the process of removing pinned layer **802**, and non-magnetic metal layer **806**. Gap layer **810** can be made from alumina, which is primarily Al_2O_3 ; however, gap layer **810** can be made from a variety of substances such as any number of insulative oxides. In the next manufacturing step, photoresist layer **710** in FIG. **7** is milled, etched, or otherwise removed from the top spin valve giant magneto-resistive sensor **800**.

After the wafer manufacturing process, the wafers on which are formed the giant magnetoresistive sensors are

diced up into modules. The wafers and/or modules are lapped back such that the edge of top spin valve giant magnetoresistive sensor **800** shared by both free layer **808** and gap layer **810** is lapped back by a mechanical lapping process. Other processes can also be used to lap back these layers. In an illustrative example, gap layer **810** and free layer **808** are lapped back to the position shown by phantom line **812**. In this illustrative example, about 400 nanometers are lapped back from gap layer **810** and free layer **808**. The area to the left of phantom line **812**, relative to the illustrative example shown in FIG. **8**, will form a magnetic sensor.

Thus, the method shown in FIG. **5** through FIG. **8** show a process for manufacturing a corrosion-resistant magnetic sensor from a magnetic sensor that includes a number of steps. First, a photoresist layer is formed on the magnetic sensor, the magnetic sensor including a pinned layer, a non-magnetic metal layer, and a free layer, wherein the photoresist layer does not extend across the entire surface of the magnetic sensor. Next, the pinned layer and the non-magnetic metal layer are removed in the portion of the magnetic sensor not covered by the photoresist layer, wherein after removal of the pinned layer and the non-magnetic metal layer, the free layer extends outwardly relative to the pinned layer and the non-magnetic metal layer. Subsequently, the photoresist layer is removed, though this step can be optional in some embodiments. Additionally, a gap layer is added on the free layer in the portion of the magnetic sensor in which the pinned layer and the non-magnetic metal layer have been removed. One or more shields can also be added to form a magnetic read head.

If desirable, additional gap layers can be added to gap layer **810** in order to provide a smooth surface upon which the shield or shields can be deposited. As a practical matter, the forming of such additional gap layers could occur either before or after the permanent magnets of the magnetic sensor are formed, depending on the exact method selected.

The method described with respect to FIG. **5** through FIG. **8** can be varied, so long as the final magnetic sensor has a free layer that projects outwardly relative to the original layers of the magnetic sensor. For example, more or fewer layers can be added during the processes shown in FIG. **5** through FIG. **8**. Additionally, additional steps can be taken or fewer steps can be taken, so long as the final magnetic sensor has a free layer that projects outwardly relative to the original layers of the magnetic sensor. For example, in an illustrative example, gap layer **810** can cover pinned layer **802**, non-magnetic metal layer **806**, and free layer **808**, so long as free layer **808** extends outwardly relative to pinned layer **802**, and non-magnetic metal layer **806**.

FIG. **9** shows a giant magnetoresistive sensor head in use, in accordance with an illustrative example of the present invention. Giant magnetoresistive sensor head **900** is similar to giant magnetoresistive sensor head **100** shown in FIG. **1**, as modified by the method shown in FIG. **5** through FIG. **8**. Thus, giant magnetoresistive sensor head **900** includes substrate **902**, first shield **904**, magnetic sensor **906**, and second shield **908**. Magnetic sensor **906** includes a number of layers, including pinned layer **910**, non-magnetic metal layer **912**, and free layer **914**. Pinned layer **910** corresponds to pinned layer **802** in FIG. **8**, non-magnetic layer **912** corresponds to non-magnetic metal layer **806** in FIG. **8**, and free layer **914** corresponds to free layer **808** in FIG. **8**. Gap layer **810** shown in FIG. **8** is omitted in FIG. **9** for clarity. Magnetic sensor **906** is lapped back to phantom line **916** which corresponds to phantom line **812** in FIG. **8**.

Because non-magnetic metal layer **912** is physically separated from the head/tape interface, as shown in FIG. **9**, non-magnetic metal layer **912** (which can be Cu) experiences much less wear and corrosion during use.

FIG. **10** shows a giant magnetoresistive sensor head in use, in accordance with an illustrative example of the present invention. Giant magnetoresistive sensor head **1000** shown in FIG. **10** is a top view of giant magnetoresistive sensor head **900** shown in FIG. **9**, with phantom line **1016** corresponding to phantom line **916** in FIG. **9**.

Giant magnetoresistive sensor head **1000** includes lead **1002** and lead **1004** which serve as electrical leads for giant magnetoresistive sensor head **1000**. Similarly, permanent magnet **1006** and permanent magnet **1008** are a part of giant magnetoresistive sensor head **1000**. Magnetic sensor **1010** corresponds to magnetic sensor **906** in FIG. **9**, as seen from a top view. Thus, tape **900** lies just above the page as one views FIG. **10** and the head/tape interface is at the level of the page. Similarly, free layer **1012** corresponds to free layer **914** in FIG. **9** and surface **1014** corresponds to the surface of layer **910** in FIG. **9**.

In an illustrative example, the edges of the layers of the giant magnetoresistive sensor are about parallel to each other. The term "about parallel" edges means that the edges in question are parallel or approximately parallel to a common axis. However, the angle from the common axis can vary somewhat and still be about parallel. In other illustrative examples, the edges need not be about parallel to each other. Similarly, the term "about perpendicular" means that the edges in question are perpendicular or approximately perpendicular to a common axis, usually the long axis of a layer. However, the angle from the common axis can vary somewhat and still be about perpendicular.

The aspects of the present invention have several advantages over known corrosion-resistant magnetic sensors. For example, the non-magnetic metal layer is removed from the magnetic sensor/magnetic media interface, thereby reducing corrosion in the non-magnetic metal layer. In addition, the free layer remains at the magnetic sensor/magnetic media interface; thus, no additional spacing losses occur. Additionally, the free layer remains continuous so as to provide optimum magnetic performance. Additionally, the magnetic sensor described herein is compatible with most older magnetic media; thus, the magnetic sensor described herein can be used with both legacy magnetic storage systems, current magnetic storage systems, and future magnetic storage systems. Thus, the aspects of the present invention provide for a magnetic sensor that is both corrosion resistant and not subject to the same degradation in sensitivity seen in previous corrosion-resistant magnetic sensors.

The description of the present invention has been presented for purposes of illustration and description, and is not intended to be exhaustive or limited to the invention, in the form disclosed. Many modifications and variations will be apparent to those of ordinary skill in the art. The embodiment was chosen and described in order to best explain the principles of the invention, the practical application, and to enable others of ordinary skill in the art to understand the invention for various embodiments with various modifications as are suited to the particular use contemplated.

What is claimed is:

1. A magnetic sensor, including a plurality of layers, the layers being adjacent to one another along a first axis, and the layers having terminating ends along a second axis, perpendicular to the first axis, wherein a first terminating end of each

layer along the second axis forms a sensing end, operable to read a magnetically readable storage material, the sensor comprising:

- a first layer comprising a pinned layer;
 - a second layer comprising a non-magnetic metal layer and adjacent to the first layer; and 5
 - a third layer comprising a free layer, wherein the first terminating end of the third layer along the second axis extends further along the second axis than the first terminating ends of the first and second layers. 10
2. The magnetic sensor of claim 1 wherein the first terminating end and the second terminating end are substantially parallel to each other.
3. The magnetic sensor of claim 1 wherein the second layer comprises copper. 15
4. The magnetic sensor of claim 1 further comprising:
a fourth layer comprising a gap layer positioned adjacent to the terminating ends of the first layer and the second layer along the second axis and adjacent to the third layer along the first axis. 20
5. The magnetic sensor of claim 1 wherein the first terminating end and the second terminating end lie along the same plane.
6. The magnetic sensor of claim 4 further comprising:
at least one magnetic shield positioned relative to the first layer, the second layer, the third layer, and the fourth layer along the first axis such that a read head is formed. 25

* * * * *